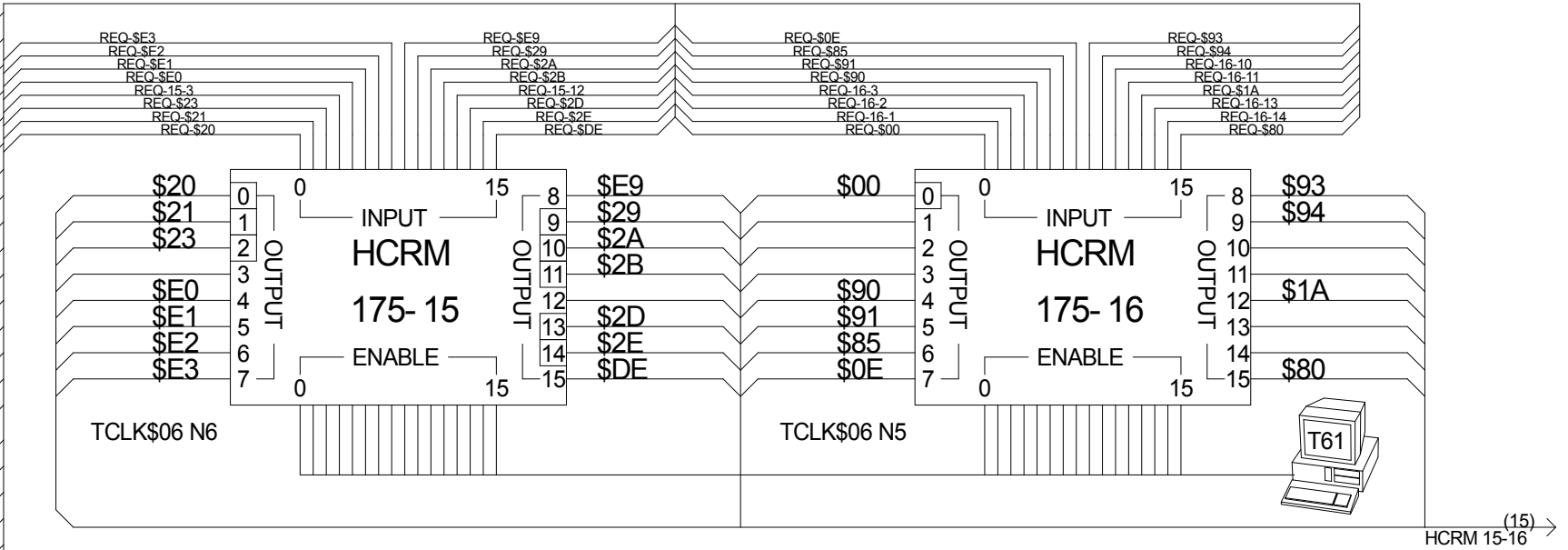


- REQ-\$20 > (13)
- REQ-\$21 > (13)
- REQ-\$23 > (13)
- REQ-15-3 > (13)
- REQ-\$E0 > (13)
- REQ-\$E1 > (13)
- REQ-\$E2 > (13)
- REQ-\$E3 > (13)
- REQ-\$E9 > (13)
- REQ-\$29 > (13)
- REQ-\$2A > (13)
- REQ-\$2B > (13)
- REQ-15-12 > (13)
- REQ-\$2D > (13)
- REQ-\$2E > (13)
- REQ-\$DE > (13)
- REQ-\$00 > (13)
- REQ-16-1 > (13)
- REQ-16-2 > (13)
- REQ-16-3 > (13)
- REQ-\$90 > (13)
- REQ-\$91 > (13)
- REQ-\$85 > (13)
- REQ-\$0E > (13)
- REQ-\$93 > (13)
- REQ-\$94 > (13)
- REQ-16-10 > (13)
- REQ-16-11 > (13)
- REQ-\$1A > (13)
- REQ-16-13 > (13)
- REQ-16-14 > (13)
- REQ-\$80 > (13)



NOTE: OUTPUT CHANNEL NUMBERS ENCLOSED  
IN BOXES INDICATE HARDWARE-  
PERMANENTLY ENABLED EVENTS

REQUEST MODULE PRIORITY SEQUENCE:  
16,13,15,14,1,6,2,3,4,5,7,8,9,10,11,12

ITEM NO.	PART NO.	DESCRIPTION or SIZE	QTY. REQ.
PARTS LIST			
UNLESS OTHERWISE SPECIFIED		ORIGINATOR	D. Dupuis
			Pre Dirt
FRACTIONS	DECIMALS	ANGLES	DRAWN
+	+	+	Mike Kuplic
-	-	-	8-5-99
		LAST REVISED	Mike Kuplic
			8-15-18
		APPROVED	*
			***
		USED ON	
		TEV CLOCK GENERATION	
		Source Reference:	
		TCLK6.SCH	
FERMI NATIONAL ACCELERATOR LABORATORY			
UNITED STATES DEPARTMENT OF ENERGY			
TEVATRON CLOCK INTERCONNECT EVENT REQUEST MODULES			
SCALE	DRAWING NUMBER		REV.
1:1	Page 6 of 15		A